

Vexve Type 309

Full bore, steel

with flange/flange ends

Material

Body:	Steel, EN 10217-2 P235GH (1.0345)
Ball:	Stainless steel, EN X5CrNi18-10 (1.4301)
Stem:	Stainless steel, EN X8CrNiS18-9 (1.4305)
Stem seals:	NBR
Ball seals:	Carbonized PTFE
Handle:	
DN 15 - 125	Galvanized steel
DN 150 - 200	Painted carbon steel
DN 250	Without handle

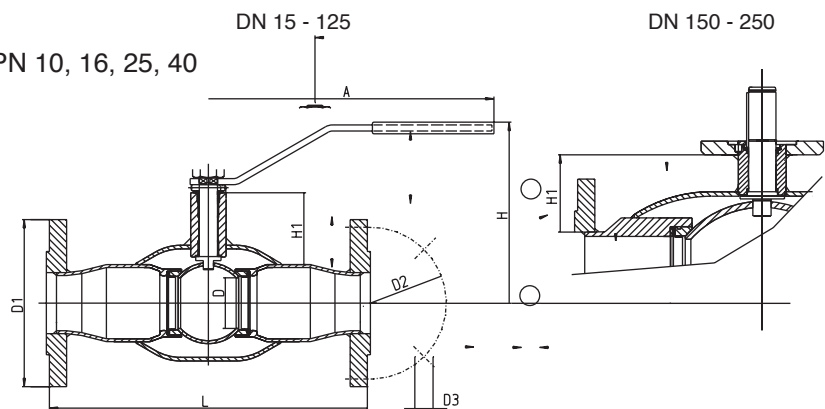
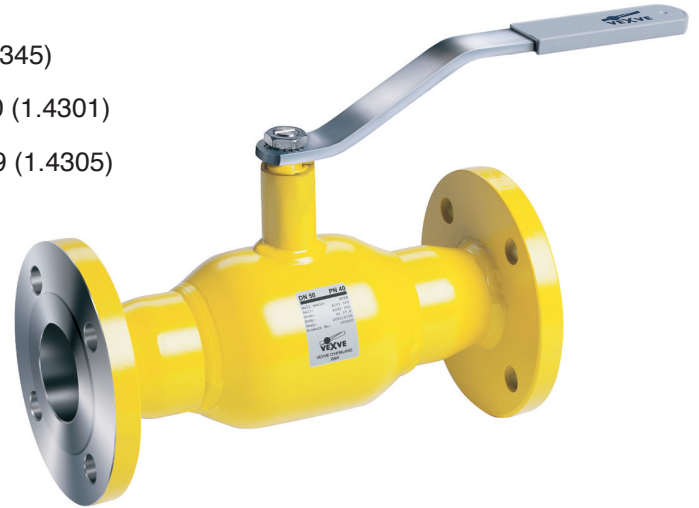
We recommend gear operation
for DN 125-250

Operating conditions

Temperature: -30 °C - +70 °C

Over 70 °C contact manufacturer

Flanges: EN 1092-1
Available also PN 10, 16, 25, 40



DN	PN Body	PN Flanges	ProductNo.	D	D1	D2	D3	H	H1	A	L	Holes	Weight Kg
15	40	40	309 015	15	95	65	14	100	26	120	245	4	2,4
20	40	40	309 020	20	105	75	14	105	43	160	245	4	2,9
25	40	40	309 025	25	115	85	14	105	43	160	275	4	4,7
32	40	40	309 032	32	140	100	18	125	61	190	275	4	5,4
40	40	40	309 040	40	150	110	18	130	59	190	320	4	7,2
50	25	16	309 050	50	165	125	18	180	79	280	320	4	9,7
65	25	16	309 065	65	185	145	18	190	84	280	325	4	11,5
80	25	16	309 080	80	200	160	18	220	104	280	350	8	16,8
100	25	16	309 100	100	220	180	18	245	109	420	350	8	23,6
125	25	16	309 125	125	250	210	18	265	117	600	375	8	32,0
150	25	16	309 150	150	285	240	22	273	98	870	515	8	58,0
200	25	16	309 200	200	340	295	22	332	115	1200	560	12	99,0
250	25	16	309 250	250	405	355	26	-	138	-	595	12	138,0