

# Vexve Type 114xx1 Reduced bore, steel with flange/flange ends, with manual gear

## Material

Body:	Steel, EN 10217-2 P235GH (1.0345)
Ball:	Stainless steel, EN X5CrNi18-10 (1.4301)
Stem:	Stainless steel, EN X8CrNiS18-9 (1.4305)
Stem seals:	NBR
Ball seals:	Carbonized PTFE

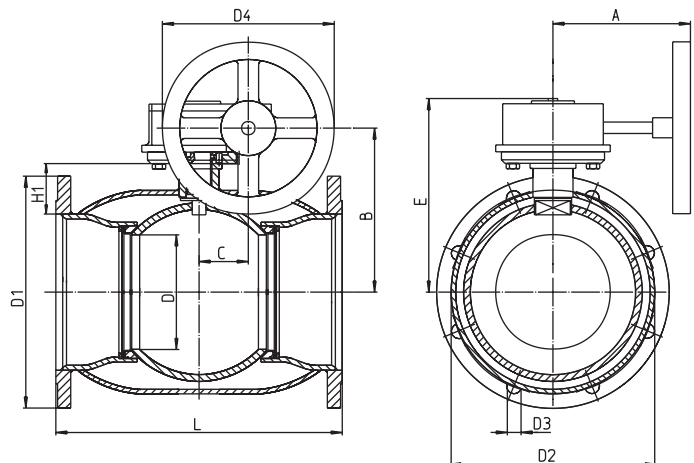
## Operating conditions

Temperature: -30 °C - +70 °C

Over 70 °C contact manufacturer

Flanges: EN 1092-1  
Available also PN 10, 16, 25, 40

Length: DIN 3202



DN	PN	PN	Product No.	D	D1	D2	D3	D4	H1	A	L	B	C	E	Holes	Weight Kg
body flanges																
100	25	16	114 101	80	220	180	18	250	100	254	300	184	52,0	219	8	10,3
125	25	16	114 121	100	250	210	18	250	107	205	325	212	60,0	243	8	21,8
150	25	16	114 151	125	285	240	22	250	114	205	350	231	60,0	268	8	36,0
200	25	16	114 201	150	340	295	22	300	72	254	400	235	76,0	271	12	66,0
250	25	16	114 251	200	405	355	26	300	88	240	500	295	90,0	338	12	118,0
300	25	16	114 301	250	460	410	26	451	113	331	500	344	123,0	400	12	170,0