

# Vexve Type 114

## Reduced bore, steel

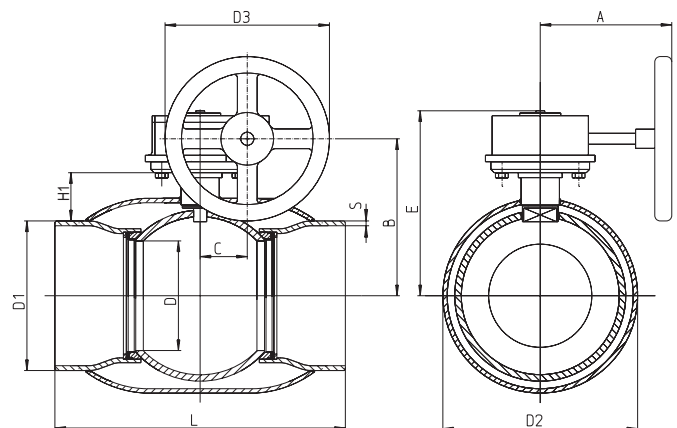
### with welded/welded ends with manual gear

#### Material

Body:	Steel, EN 10217-2 P235GH (1.0345)
Ball:	Stainless steel, EN X5CrNi18-10 (1.4301)
Stem:	Stainless steel, EN X8CrNiS18-9 (1.4305)
Stem seals:	NBR
Ball seals:	Carbonized PTFE

#### Operating conditions

Temperature:	-30 °C - +70 °C
Over 70 °C contact manufacturer	



DN	PN	Product No.	D	D1	D2	D3	S	H1	A	L	B	C	E	Weight Kg
100	25	114 100	80	114,3	168,3	250	3,6	100	254	325	184	52	219	10,3
125	25	114 125	100	139,7	177,8	250	4,0	107	205	325	212	60	243	17,4
150	25	114 150	125	168,3	219,1	250	4,5	114	205	350	231	60	268	22,0
200	25	114 200	150	219,1	273,0	300	4,5	72	254	400	235	76	271	44,0
250	25	114 250	200	273,0	355,6	300	5,0	88	240	530	295	90	338	87,0
300	25	114 300	250	323,9	457,0	457	5,6	113	331	550	344	123	400	142,0