

# Vexve Type 113

## Reduced bore, steel with flange/flange ends

### Material

Body:	Steel, EN 10217-2 P235GH (1.0345)
Ball:	Stainless steel, EN X5CrNi18-10 (1.4301)
Stem:	Stainless steel, EN X8CrNiS18-9 (1.4305)
Stem seals:	NBR
Ball seals:	Carbonized PTFE
Handle:	
DN 15 - 150	Galvanized steel
DN 200 - 250	Painted carbon steel
DN 300	Without handle

We recommend gear operation for DN 150-300

### Operating conditions

Temperature: -30 °C - +70 °C

Over 70 °C contact manufacturer

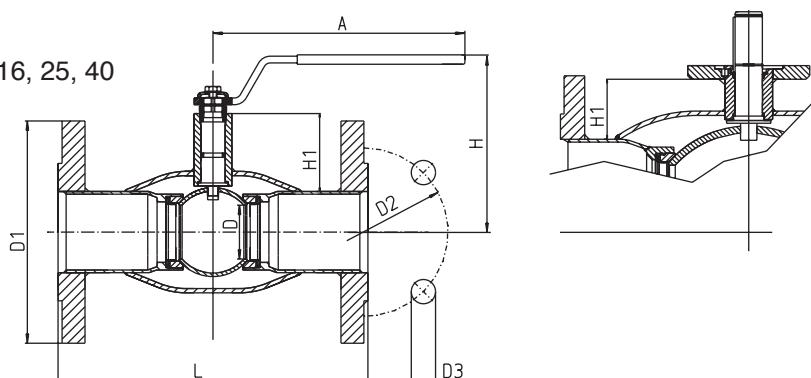
Flanges: EN 1092-1  
Available also PN 10, 16, 25, 40

Length: DIN 3202



DN 15 - 150

DN 200 - 300



DN	PN Body	PN Flanges	Product No.	D	D1	D2	D3	H	H1	A	L	Holes	Weight Kg
15	40	40	113 015	10	95	65	14	100	23	120	130	4	1,8
20	40	40	113 020	15	105	75	14	100	24	120	150	4	2,4
25	40	40	113 025	20	115	85	14	105	40	160	160	4	2,9
32	40	40	113 032	25	140	100	18	105	39	160	180	4	4,7
40	40	40	113 040	32	150	110	18	125	59	190	200	4	5,4
50	40	40	113 050	40	165	125	18	130	59	190	230	4	7,2
65	25	16	113 065	50	185	145	18	180	71	280	270	4	9,7
80	25	16	113 080	65	200	160	18	190	77	280	280	8	11,5
100	25	16	113 100	80	220	180	18	220	92	280	300	8	16,8
125	25	16	113 125	100	250	210	18	245	95	420	325	8	23,6
150	25	16	113 150	125	285	240	22	265	103	600	350	8	32,0
200	25	16	113 200	150	340	295	22	273	72	870	400	12	58,0
250	25	16	113 250	200	405	355	26	332	88	1200	500	12	99,0
300	25	16	113 300	250	460	410	26	-	113	-	500	12	138,0