

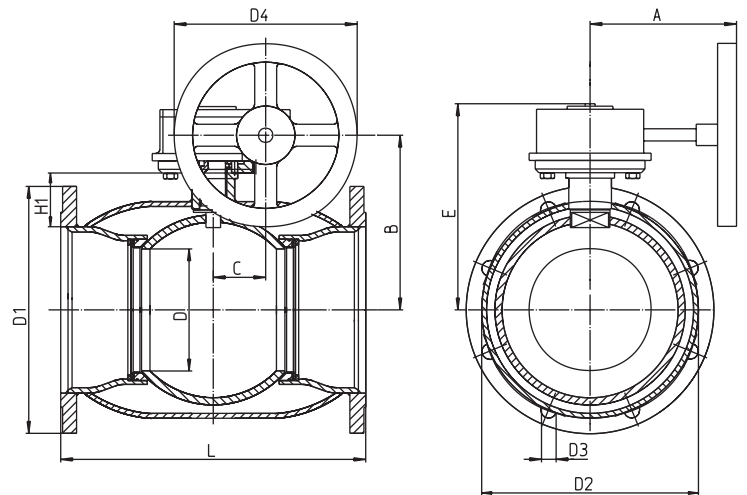
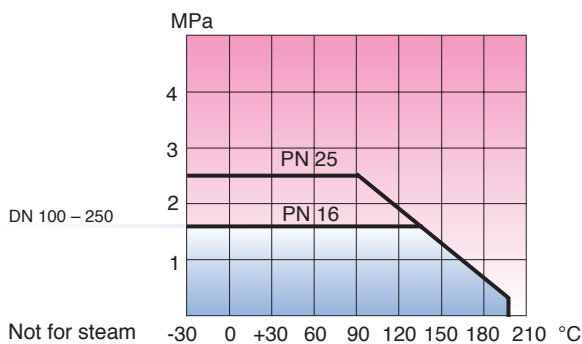
Vexve Type 234xx1 Stainless steel, with flange/flange ends, with manual gear

Material

Body:	Stainless steel, EN 10217-7 X2CrNiMo17-12-2(1.4404)
Ball:	Stainless steel, EN X2CrNiMo17-12-2(1.4404)
Stem:	Stainless steel, EN X2CrNiMo17-12-2(1.4404)
Stem seals:	FPM
Ball seals:	Carbonized PTFE

Operating conditions

Temperature:	-30°C - +200°C below 0°C contact manufacturer
Flanges	EN 1092-1 Available also PN 10, 16, 25, 40
Length	DIN 3202



DN	PN body	PN flanges	Product No.	D	D1	D2	D3	D4	H1	L	A	B	C	E	Holes	Kv	Weight
100	25	16	234 101	80	220	180	18	200	55	300	120	152	53	183	8	470	19,5
125	25	16	234 121	100	250	210	18	250	58	325	200	166	60	203	8	830	23,5
150	25	16	234 151	125	285	240	22	250	63	350	200	195	60	231	8	1150	35,6
200	25	16	234 201	150	340	295	22	300	72	400	219	241	76	282	12	1750	59,0
250	25	16	234 251	200	405	355	26	315	88	530	244	294	90	338	12	3200	111,0