

# Vexve Type 234

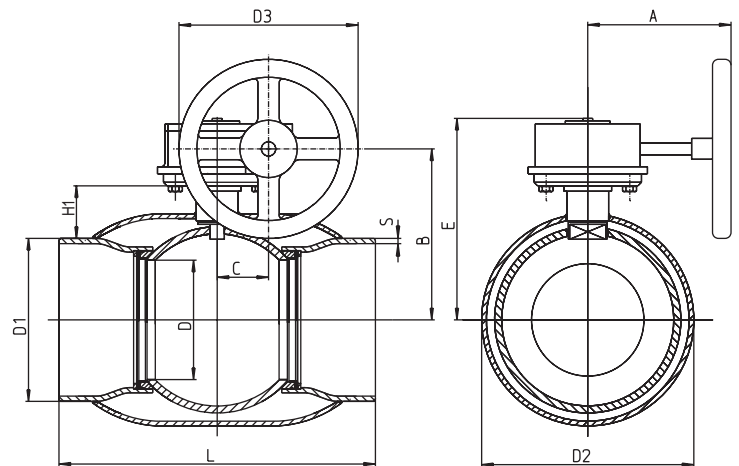
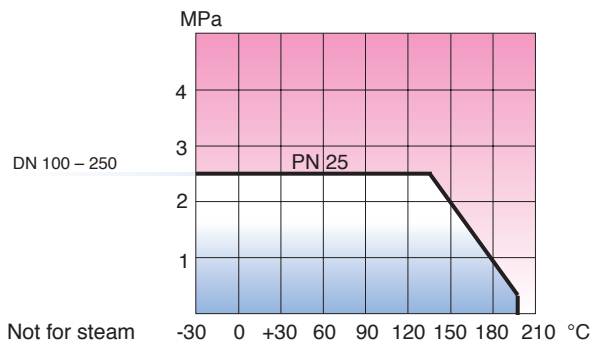
## Stainless steel, with welded/welded ends, with manual gear

### Material

Body:	Stainless steel, EN 10217-7 X2CrNiMo17-12-2(1.4404)
Ball:	Stainless steel, EN X2CrNiMo17-12-2(1.4404)
Stem:	Stainless steel, EN X2CrNiMo17-12-2(1.4404)
Stem seals:	FPM
Ball seals:	Carbonized PTFE

### Operating conditions

Temperature:	-30 °C - +200 °C below 0 °C contact manufacturer
--------------	---



DN	PN	Product No.	D	D1	D2	D3	S	H1	A	L	B	C	E	Kv	Weight
100	25	234 100	80	114,3	156,0	200	3,0	55	120	325	152	53	183	470	8,9
125	25	234 125	100	139,7	177,8	250	3,0	58	200	325	166	60	203	830	17,4
150	25	234 150	125	168,3	219,1	250	3,0	63	200	350	195	60	231	1150	21,6
200	25	234 200	150	219,1	273,0	300	4,0	72	219	400	241	76	282	1750	38,6
250	25	234 250	200	273,0	355,6	315	4,2	88	244	530	294	90	338	3200	85,0