

# Vexve Type 233

## Stainless steel, with flange/flange ends

### Material

|              |   |
|--------------|---|
| Body:        | Stainless steel, EN 10217-7 X2CrNiMo17-12-2(1.4404) |
| Ball:        | Stainless steel, EN X2CrNiMo17-12-2(1.4404)         |
| Stem:        | Stainless steel, EN X2CrNiMo17-12-2(1.4404)         |
| Stem seals:  | FPM   |
| Ball seals:  | Carbonized PTFE                                     |
| Handle       |   |
| DN 15 - 150  | Stainless steel                                     |
| DN 200 - 250 | Painted steel                                       |

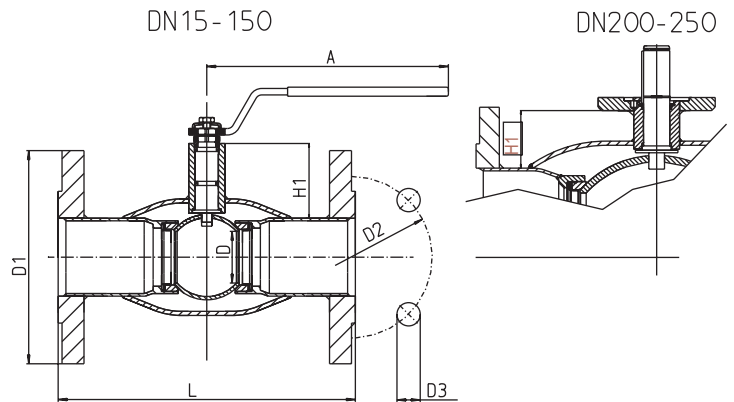
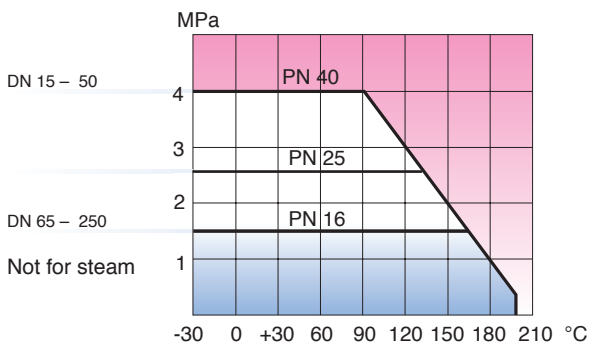
We recommend manual gear operation for DN 150 - 250

### Operating conditions

Temperature: -30 °C - +200 °C  
below 0 °C contact manufacturer

Flanges EN 1092-1  
Available also PN 10, 16, 25, 40

The length DIN 3202



| DN  | PN<br>body | PN<br>flanges | Product No. | D   | D1  | D2  | D3 | H   | H1 | A    | L   | Holes | Kv   | Weight |
|-----|------------|---------------|-------------|-----|-----|-----|----|-----|----|------|-----|-------|------|--------|
| 15  | 40         | 40            | 233 015     | 10  | 95  | 65  | 14 | 100 | 22 | 140  | 130 | 4     | 8    | 1,7    |
| 20  | 40         | 40            | 233 020     | 15  | 105 | 75  | 14 | 100 | 23 | 140  | 150 | 4     | 14   | 2,4    |
| 25  | 40         | 40            | 233 025     | 20  | 115 | 85  | 14 | 90  | 28 | 150  | 160 | 4     | 25   | 2,9    |
| 32  | 40         | 40            | 233 032     | 25  | 140 | 100 | 18 | 95  | 27 | 150  | 180 | 4     | 41   | 4,5    |
| 40  | 40         | 40            | 233 040     | 32  | 150 | 110 | 18 | 100 | 34 | 190  | 200 | 4     | 65   | 5,7    |
| 50  | 40         | 40            | 233 050     | 40  | 165 | 125 | 18 | 110 | 35 | 190  | 230 | 4     | 103  | 7,0    |
| 65  | 25         | 16            | 233 065     | 50  | 185 | 145 | 18 | 160 | 51 | 280  | 270 | 4     | 180  | 9,7    |
| 80  | 25         | 16            | 233 080     | 65  | 200 | 160 | 18 | 170 | 57 | 280  | 280 | 8     | 290  | 10,9   |
| 100 | 25         | 16            | 233 100     | 80  | 220 | 180 | 18 | 185 | 55 | 280  | 300 | 8     | 470  | 15,0   |
| 125 | 25         | 16            | 233 125     | 100 | 250 | 210 | 18 | 205 | 56 | 420  | 325 | 8     | 830  | 21,7   |
| 150 | 25         | 16            | 233 150     | 125 | 285 | 240 | 22 | 225 | 62 | 600  | 350 | 8     | 1150 | 30,5   |
| 200 | 25         | 16            | 233 200     | 150 | 340 | 295 | 22 | 273 | 72 | 870  | 400 | 12    | 1750 | 50,2   |
| 250 | 25         | 16            | 233 250     | 200 | 405 | 355 | 26 | 332 | 88 | 1200 | 530 | 12    | 3200 | 92,3   |