

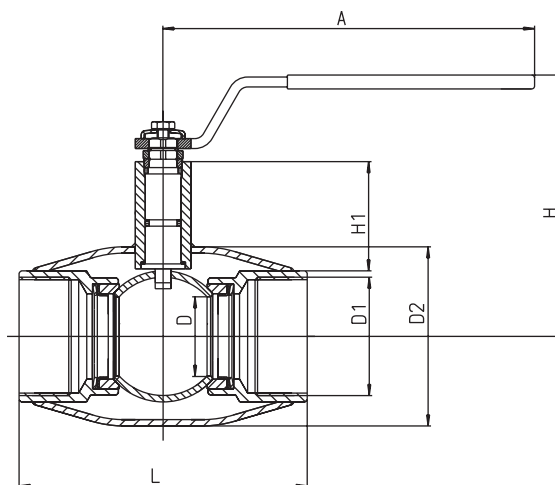
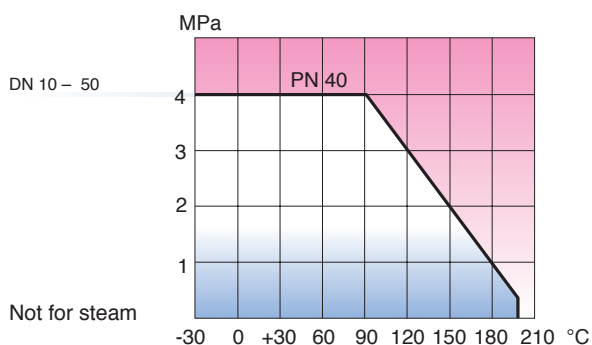
Vexve Type 232 Stainless steel, with thread/thread ends

Material

Body:	Stainless steel, EN 10217-7 X2CrNiMo17-12-2(1.4404)
Ball:	Stainless steel, EN X2CrNiMo17-12-2(1.4404)
Stem:	Stainless steel, EN X2CrNiMo17-12-2(1.4404)
Stem seals:	FPM
Ball seals:	Carbonized PTFE
Handle:	Stainless steel

Operating conditions

Temperature:	-30 °C - +200 °C below 0 °C contact manufacturer
--------------	---



DN	PN	Product No.	D	D1	D2	H	H1	A	L	Kv	Weight
10	40	232 010	10	R 3/8	33,7	100	22	140	75	8	0,4
15	40	232 015	10	R 1/2	33,7	100	22	140	75	8	0,4
20	40	232 020	15	R 3/4	42,4	100	23	140	75	14	0,5
25	40	232 025	20	R 1	48,3	90	28	150	90	25	0,7
32	40	232 032	25	R 1 1/4	60,3	95	27	150	105	41	1,0
40	40	232 040	32	R 1 1/2	76,1	100	34	190	120	65	1,5
50	40	232 050	40	R 2	88,9	110	35	190	145	103	2,0