

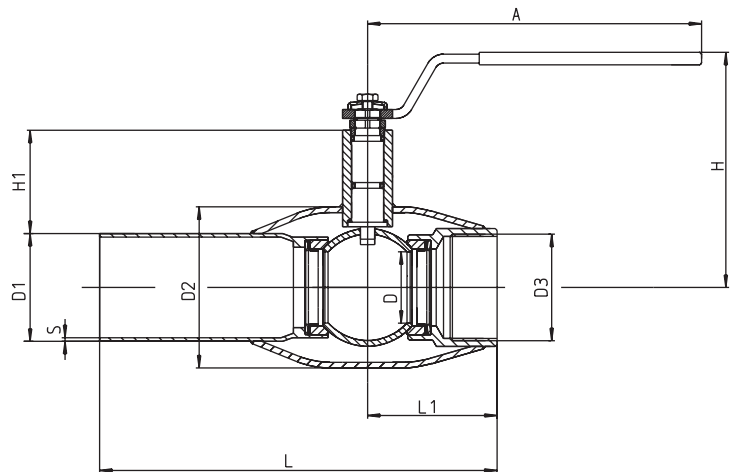
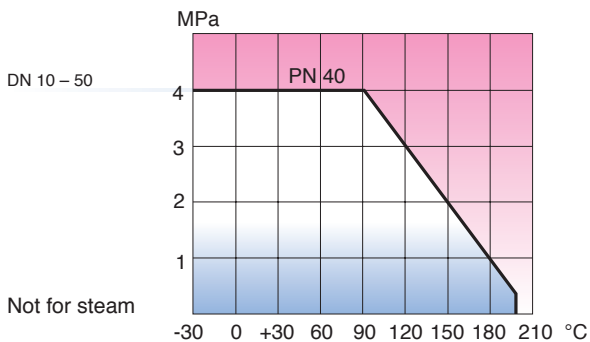
Vexve Type 231 Stainless steel, with thread/welded ends

Material

Body:	Stainless steel, EN 10217-7 X2CrNiMo17-12-2(1.4404)
Ball:	Stainless steel, EN X2CrNiMo17-12-2(1.4404)
Stem:	Stainless steel, EN X2CrNiMo17-12-2(1.4404)
Stem seals:	FPM
Ball seals:	Carbonized PTFE
Handle:	Stainless steel

Operating conditions

Temperature:	-30 °C - +200 °C below 0 °C contact manufacturer
--------------	---



DN	PN	Product no.	D	D1	D2	D3	S	H	H1	A	L	L1	Kv	Weight
10	40	231 010	10	17,2	33,7	R 3/8	2,0	100	22	140	153	37	8	0,5
15	40	231 015	10	21,3	33,7	R 1/2	2,0	100	22	140	153	37	8	0,5
20	40	231 020	15	26,9	42,4	R 3/4	2,0	100	23	140	153	37	14	0,6
25	40	231 025	20	33,7	48,3	R 1	2,0	90	28	150	160	45	25	0,8
32	40	231 032	25	42,4	60,3	R 1 1/4	2,0	95	27	150	183	52	41	1,1
40	40	231 040	32	48,3	76,1	R 1 1/2	2,5	100	34	190	190	60	65	1,8
50	40	231 050	40	60,3	88,9	R 2	2,0	110	35	190	223	72	103	2,1