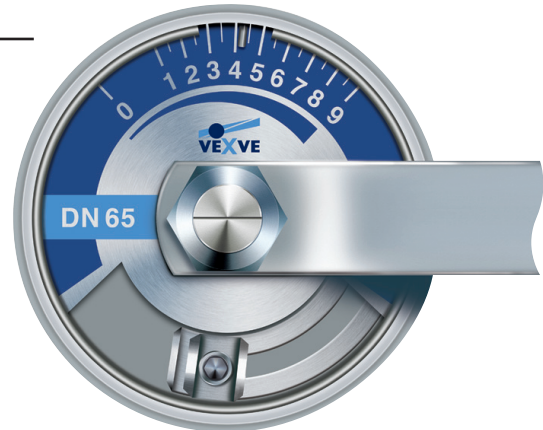


Easy to use

- clear scale plate
- regulating value can be locked
- removable handle
- easy to measure

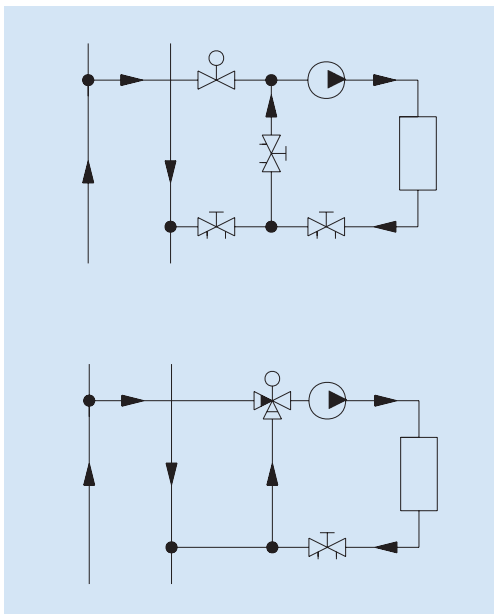
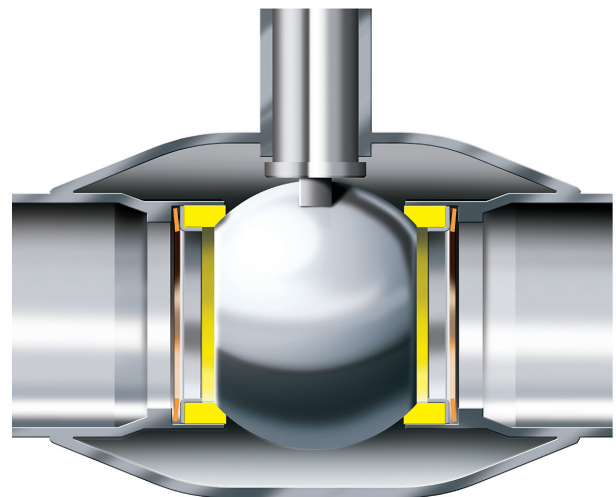


W-port

- optimal shape of the regulating cut in the ball
- equal percentage valve characteristic
- wide regulating range

Reliable sealing solution

- spring-loaded special ball seals
- surface of ball and seal are in steady contact which secures tightness also in on/off use



Range of use

- heating systems
 - primary
 - secondary
- cooling systems
- heat recovery systems
 - glycol
- industrial process