

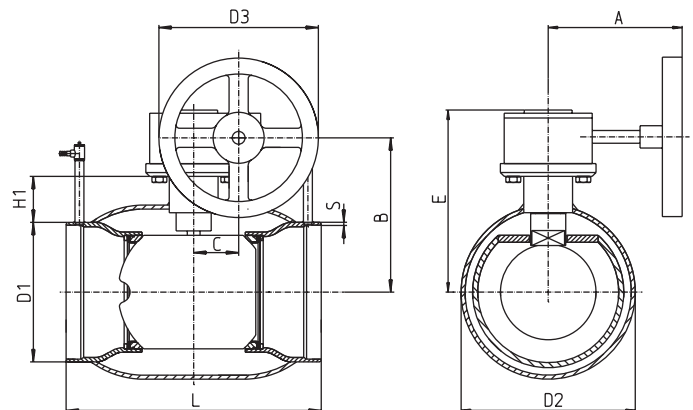
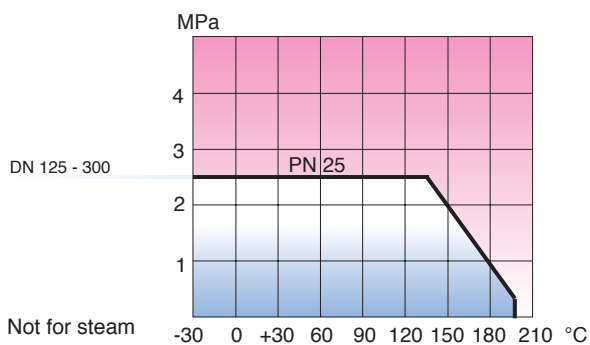
Vexve Type 144 Balancing valves with welded/welded ends, with manual gear

Material

Body:	Steel, EN 10217-2 P235GH (1.0345)
Ball:	Stainless steel, EN X5CrNi18-10 (1.4301)
Stem:	Stainless steel, EN X8CrNiS18-9 (1.4305)
Stem seals:	FPM
Ball seals:	Hardened teflon

Operating conditions

Temperature:	-30°C - +200°C below 0°C contact manufacturer
--------------	---



DN	PN	Product No.	D1	D2	D3	S	H1	A	L	B	C	E	Weight
125	25	144125	139,7	177,8	250	4,0	107	200	325	206	60,0	237,0	17,6
150	25	144150	168,3	219,1	250	4,5	114	200	350	226	60,0	256,0	22,3
200	25	140200	219,1	273,0	300	4,5	74	219	400	235	76,0	271,0	45,0
250	25	140250	273,0	355,6	315	5,0	90	244	530	294	90,0	338,0	89,0
300	25	140300	323,9	457,0	450	5,6	115	335	550	344	123,0	400,0	140,0