

Vexve Type 143

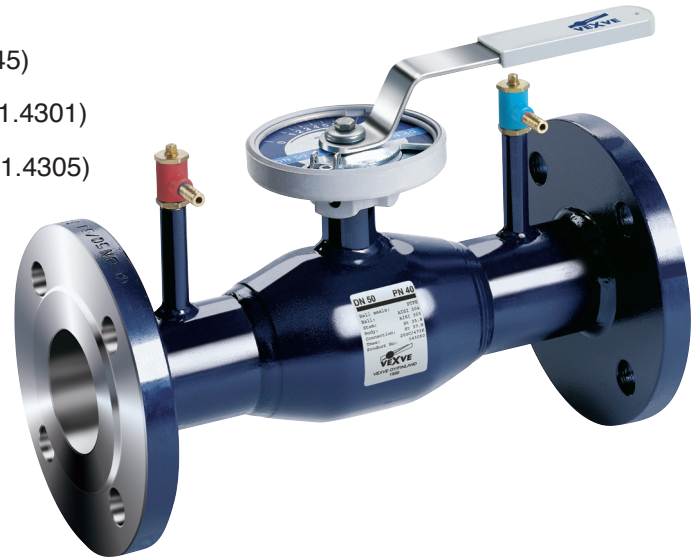
Balancing valves, steel, with flange/flange ends

Material

Body:	Steel, EN 10217-2 P235GH (1.0345)
Ball:	Stainless steel, EN X5CrNi18-10 (1.4301)
Stem:	Stainless steel, EN X8CrNiS18-9 (1.4305)
Stem seals:	FPM
Ball seals:	Hardened teflon
Handle: DN 15 - 150	Galvanized steel
DN 200 - 300	Manual gear

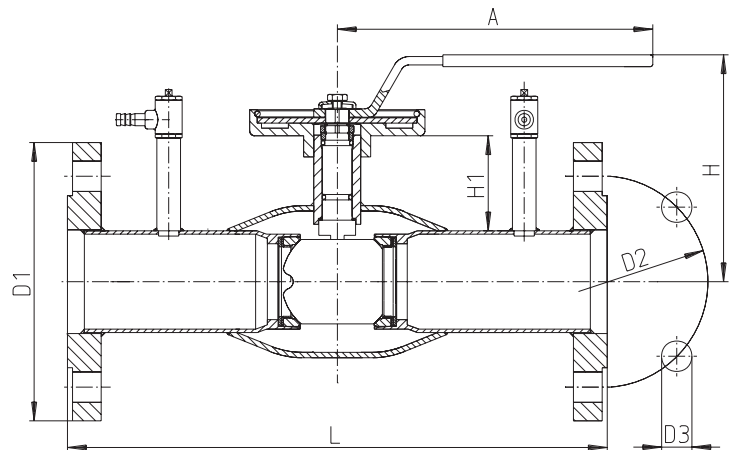
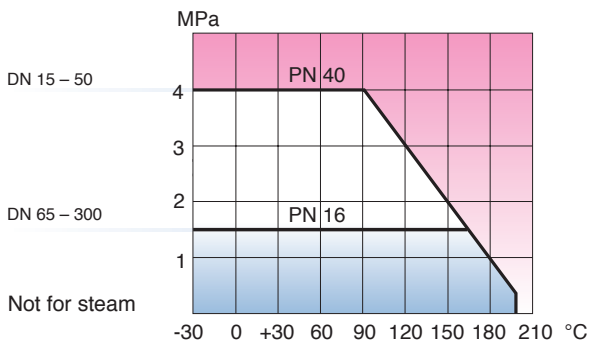
Flanges

EN 1092-1
Available also PN 10, 16, 25, 40



Operating conditions

Temperature: -30 °C - +200 °C
below 0 °C contact manufacturer



DN	PN body	PN flanges	Product No.	D1	D2	D3	H	H1	A	L	Holes	Weight
15	40	40	143 015	95	65	14	100	18	140	250	4	2,2
20	40	40	143 020	105	75	14	100	18	140	250	4	2,6
25	40	40	143 025	115	85	14	105	37	150	250	4	3,2
32	40	40	143 032	140	100	18	105	36	150	280	4	4,9
40	40	40	143 040	150	110	18	125	56	190	280	4	6,2
50	40	40	143 050	165	125	18	130	56	190	320	4	8,0
65	25	16	143 065	185	145	18	180	72	280	320	4	10,2
80	25	16	143 080	200	160	18	190	78	280	320	8	12,0
100	25	16	143 100	220	180	18	220	95	280	350	8	16,8
125	25	16	143 125	250	210	18	245	98	420	350	8	24,0
150	25	16	143 150	285	240	22	265	104	600	370	8	32,8
200	25	16	143 200	340	295	22	-	74	-	425	12	60,0
250	25	16	143 250	405	355	26	-	90	-	550	12	114,0
300	25	16	143 300	460	410	26	-	115	-	580	12	168,0